

COIN HOPPER AND BILL ACCEPTOR INSTALLATION

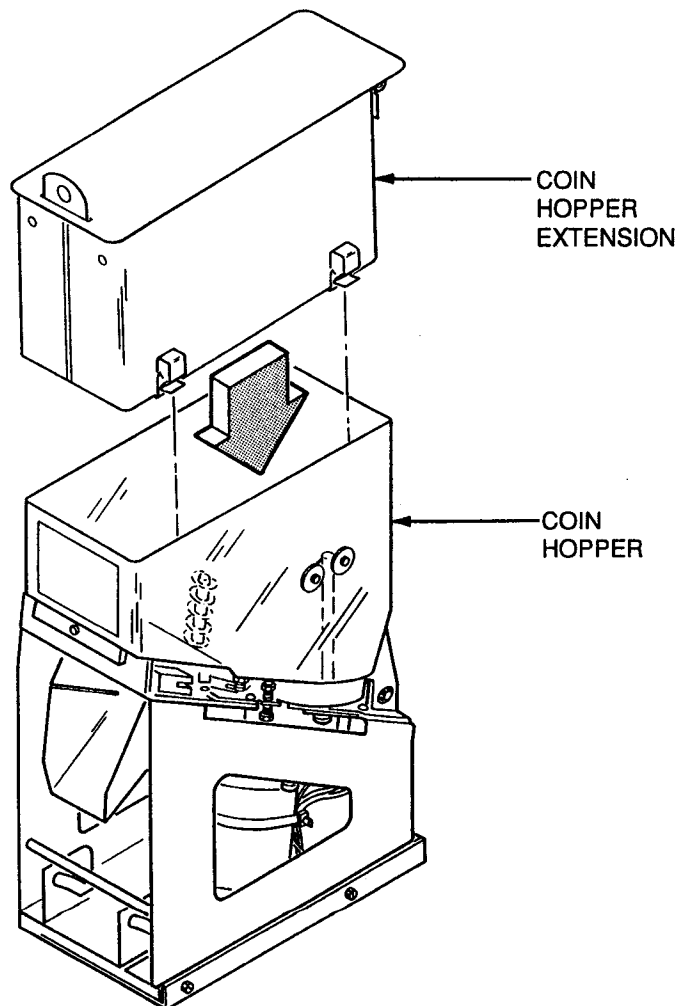
COIN HOPPER

Before using this machine for the first time, place the coin hopper extensions on the coin hoppers as shown.

CAUTION

Do not pick up the coin hoppers by their extensions. The coin hoppers may separate from the extensions and fall to the floor, causing equipment damage.

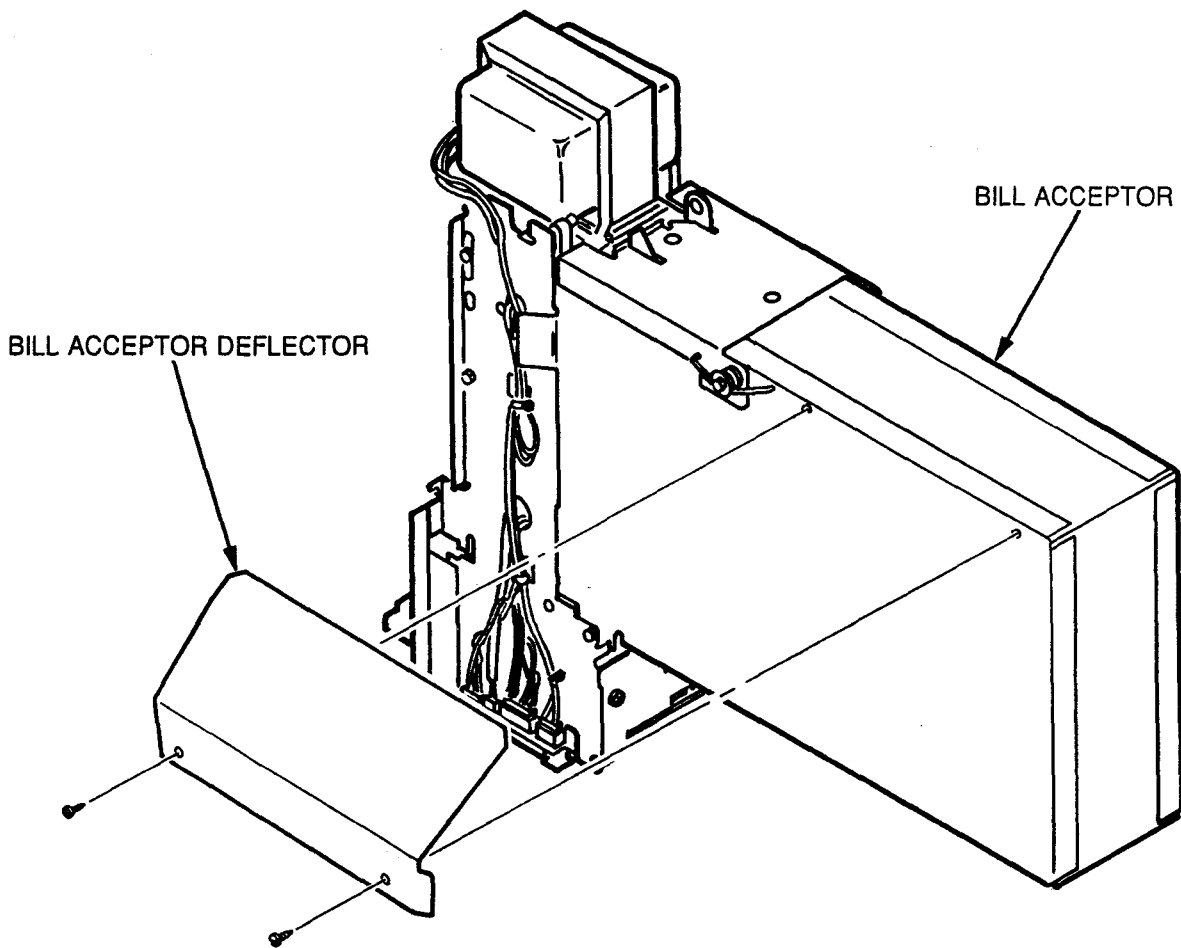
Install the coin hoppers in accordance with the PCM-1625B Maintenance Handbook, Section IV, Paragraph 4.3.49.2.



Coin Hopper Extension Installation

BILL ACCEPTOR

Before using this machine for the first time, assemble the bill acceptor deflector to the bill acceptor as shown. Install the bill acceptor in accordance with the PCM-1625B Maintenance Handbook, Section IV, Paragraph 4.3.15.2.



Bill Acceptor Deflector Installation